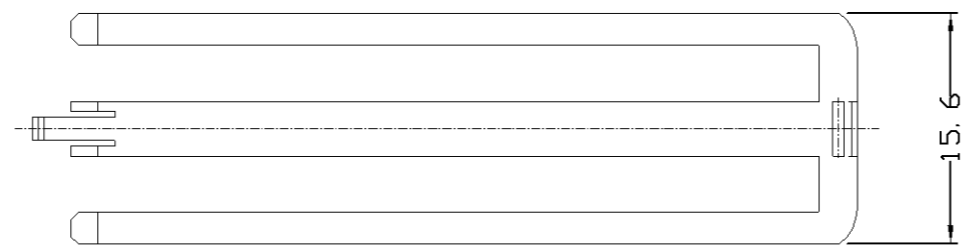
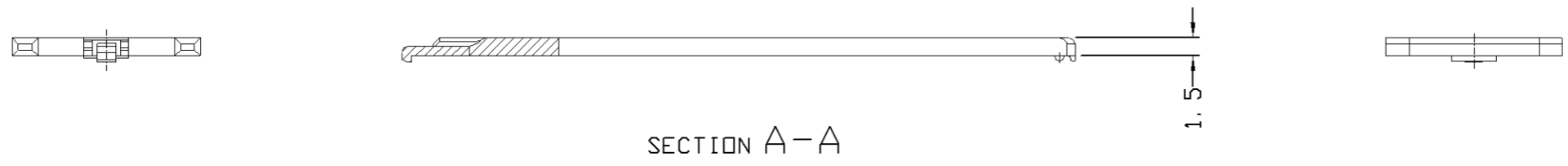
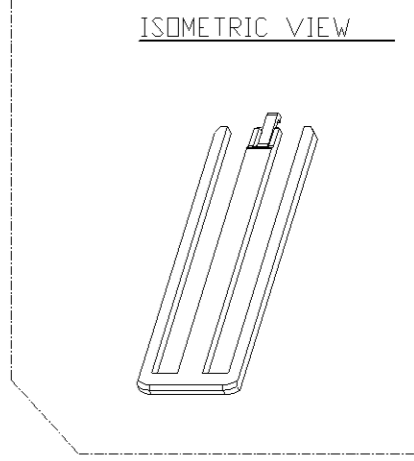
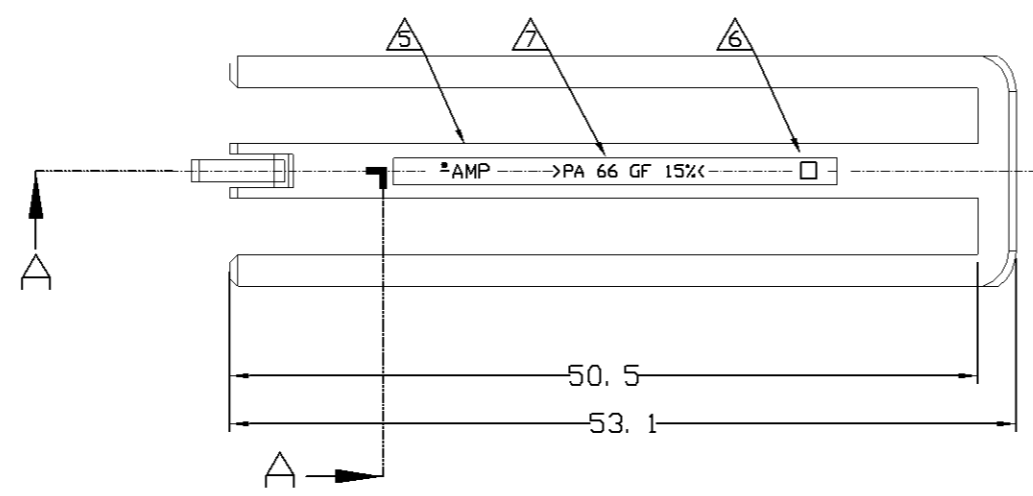


THIS DRAWING IS UNPUBLISHED. RELEASED FOR PUBLICATION 1997 .  
 © COPYRIGHT 1997 BY AMP INCORPORATED. ALL RIGHTS RESERVED.

LOC	DIST	REVISIONS			
P	LTR	DESCRIPTION	DATE	DWN	APVD
	□	RELEASED ECN(FC00-0016-99)	05/FEB/'99	JW	CS
	A	REVISED ECN(FC00-0067-02)	30/APR/'02	JW	CS
	B	REVISED ECN(FC00-0150-02)	21/DEC/'02	JW	CS
	C	REVISED (ECR-07-015887)	13/DEC/'07	DR	JK



- NOTE.
- 1. APPLICABLE ASS'Y CONNECTOR FOR  
 (A) JPT&MQS 81Pos.; P/N:368290-1
  - (TE) TE TREAD MARK
  - (CA) CAVITY MARK
  - (RE) RECYCLE MARKING

COLOR	MATERIAL	DESCRIPTION	PART NO
YELLOW	PA66-GF15	RETAINER HSG(CHINA ONLY)	3 6 8 2 9 7- 1
YELLOW	PA66-GF15	RETAINER HSG	3 6 8 2 9 7- 1

THIS DRAWING IS CONTROLLED DOCUMENT FOR AMP INCORPORATED. IT IS SUBJECT TO CHANGE AND THE CONTROLLING ENGINEERING ORGANIZATION SHOULD BE CONTACTED FOR THE LATEST REVISION.		DWNRD GOD	<b>AMP KOREA.</b> kyungsan, korea		
DIMENSIONS: MM		CHK YM CHOI			
TOLERANCES UNLESS OTHERWISE SPECIFIED: 0 <XX<10 ± 0.2 10<XX<30 ± 0.25 30<XX ± 0.3 ANGLES ± 3°		APVD JK SONG	NAME <b>RETAINER HOUSING FOR MQS 76Pos.</b>		
3rd ANGLE PROJECTION		PRODUCT SPEC ---			
MATERIAL SEE TABLE		FINISH SEE TABLE	APPLICATION SPEC ---	DRAWING NO SIZE CAGE CODE DRAWING NO <b>A3 00779</b>	
		WEIGHT ---	SCALE 1/1 SHEET 1 OF 1 REV C		